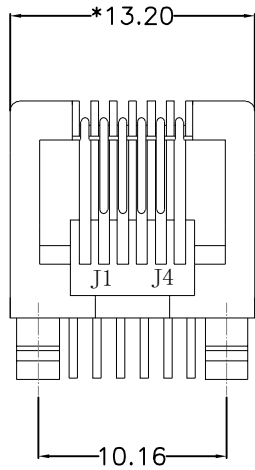
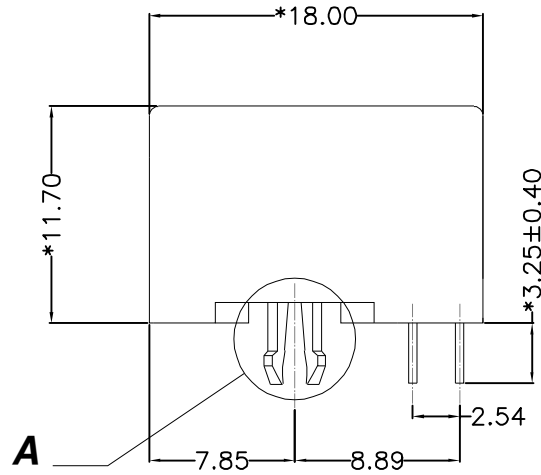


REACH & RoHS
COMPLIANT

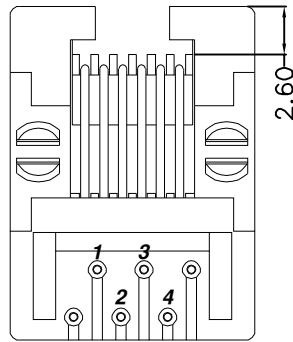
| REV. | ECN / DESCRIPTION | BY | DATE |
|------|-------------------|-------|------------|
| A0 | NEW | ZG.Hu | 2015.11.29 |



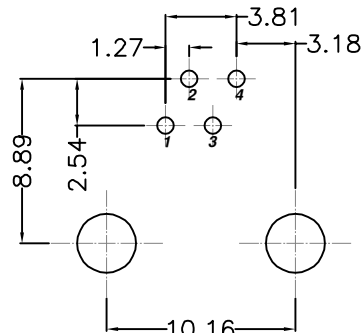
FRONT VIEW



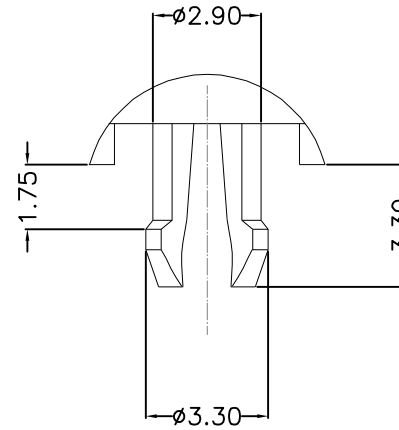
RIGHT SIDE VIEW



BOTTOM VIEW



RECOMMENDED PCB LAYOUT
VIEWED FROM COMPONENT SIDE



A(2:1)

MATERIAL:

HOUSING: PBT,UL94V-0,BLACK.

TERMINAL: PHOSPHOR BRONZE $\phi=0.46\text{MM}$,6U" GOLD PLATING.

MACHANICAL:

DURABILITY: 750 CYCLES MIN,12.5MM/MINUTE.

INSERTION FORCE: 2.2KG.F MAX.

RETENTION STRENGTH : 7.7KG.F BETWEEN JACK AND PLUG.

OPERATING TEMPERATURE: $-40^{\circ}\text{C}\sim+85^{\circ}\text{C}$.

STORAGE TEMPERATURE: $-40^{\circ}\text{C}\sim+85^{\circ}\text{C}$.

ALL CRITICAL DIMENSIONS WITH "*"

ELECTRICAL:

VOLTAGE: 125 VOLTS AC.

CURRENT RATING : 1.5AMP.

DIELECTRIC STRENGTH: 1000 VAC RMS 50HZ OR 60HZ,1MIN.

INSULATION RESISTANCE: 500 MEGA OHMS MIN. INITIAL

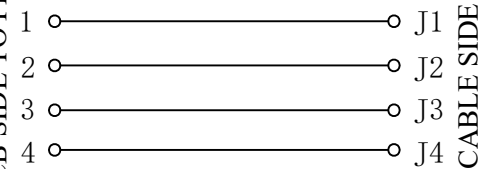
AFTER 500V DC FOR 1 MINUTE.

CONTACT RESISTANCE: SINGLE TERMINAL 30 MILLIOHMS MAX.

INITIAL 50 MILLIOHMS MAX. AFTER

DURABILITY TEST.

PCB SIDE TO PHY



DGKYD

东莞市科优达电子科技有限公司
Dong Guan Ke You Da Electronic Tech.Co.,Ltd

ADD: No.1 LiHe Street,LiHeng Village,Qingxi town, DongGuan City,GuangDong Province
Tel:+86-0769-87334608; Fax:+86-0769-87847129 WWW.DGKYD.COM

TITLE:
5321 1X1 6P4C 全塑

PART NO.:
DGKYD53211164IWA1DY4

REMARK:

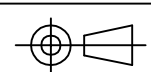
SIZE
A4

SACLE
1:1

SHEET
1/1

UNITS
MM[INCH]

REV
A0



GENERAL TOLERANCES
UNLESS SPECIFIED

$x\pm 0.35$
 $.x\pm 0.30$
 $.xx\pm 0.25$
 $.xxx\pm 0.10$

$x^{\circ}\pm 3.0^{\circ}$
 $.x^{\circ}\pm 2.0^{\circ}$
 $.xx^{\circ}\pm 1.5^{\circ}$
 $.xxx^{\circ}\pm 1.0^{\circ}$

APPROVED BY:
JP.Gong

CHECKED BY:
TW.Xu

DESIGND BY:
ZG.Hu